

SAMPLE APPLICATIONS OF UB8P



SAFETY APPROVAL

VDE	EN60730-2-9	10(5)A 250V AC
UL	UL873	16A 125V AC



FEATURES

- Open Frame Protector
- Parallel PTC Heater For Self-Hold
- Phenol Resin Base
- Worldwide Safety Approvals
- Not Current Sensitive

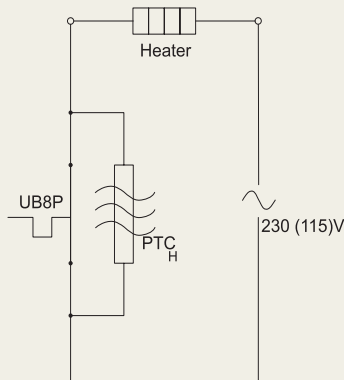
STANDARD SPECIFICATION

SPECIFICATION	UB8P SERIES	
Switch Temp.	60C ~ 150° C*	
Open Tolerance	+/- 5K	
Standard Differential	30K ~ 40K	
Reset Tolerance	+/- 15K	
Current	10(5)A	16A
Voltage	250V AC	125V AC
Cycles	6,000*	
Contact	NORMAL CLOSED [NC]	
Contact Resistance	< 50mΩ	

* See Approvals Table for more information

The UB8P Series is the smallest open frame Self-Hold Thermal Protector produced by Uchiya Thermostat for AC applications up to 10A (250V) and 16A (125V).

With a bimetallic element allowing for a quick thermal response to temperature rise and a PTC resistance heater that allows for both 125V and 250V applications, the UB8P Series is a most versatile Self-Hold Protector.



On temperature rise, the contacts open. A 25mA current (approx.) will flow through the circuit (depending on temperature and voltage) maintaining the UB8P Series

Protector open low temperatures.

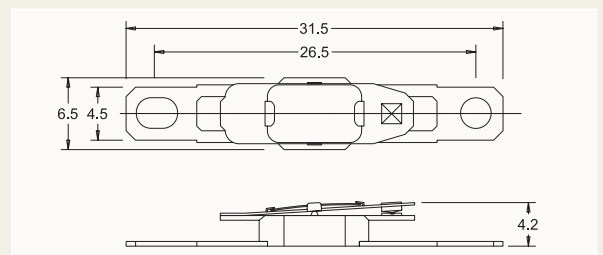
The PTC Resistance heater keeps the contacts in the UB8P Series open until the power is removed, allowing the Protector to cool and reset.

With its small size, lightweight design and reliability, the UB8P Series is ideal for use in protecting critical devices where automatic reset could cause eventual application failure.

PRODUCT DESCRIPTION

Thermal Cut-Out
Thermal Protector
Thermostat

DIMENSIONS



SERIES VARIATIONS

- UB8P** Basic Model
- UB81P** With Dust Proof Enclosure

Uchiya Thermostat reserves the right to modify specifications without prior notice. © Uchiya 2007.